

RLS 3D vs RLS classic

CONSUMI A CONFRONTO_ CONSUMPTION COMPARISON

pezzi per 10 m² _ pieces for 10 sqm

FORMATI QUADRI_ SQUARE TILES

FORMATO PIASTRELLA TILE SIZE (cm x cm)	RLS 3D PEZZI PER 10 m ² PIECES FOR 10 sqm	RLS classic PEZZI PER 10 m ² PIECES FOR 10 sqm	RLS 3D MINOR CONSUMO SAVING
20x20	240	490	-51%
30x30	105	431	-76%
40x40	178	240	-26%
60x60	77	105	-26%
90x90	56	68	-18%
100x100	44	54	-18%
120x120	43	49	-14%
150x150	34	38	-11%

FORMATI RETTANGOLARI_ RECTANGULAR TILES

FORMATO PIASTRELLA TILE SIZE (cm x cm)	RLS 3D PEZZI PER 10 m ² PIECES FOR 10 sqm	RLS classic PEZZI PER 10 m ² PIECES FOR 10 sqm	RLS 3D MINOR CONSUMO SAVING
120x30	105	157	-33%
120x20	159	200	-21%
120x15	213	219	-3%
80x180	49	56	-12%
80x40	117	148	-21%
80x20	179	241	-26%
60x120	63	77	-18%
60x40	117	158	-26%
60x30	105	212	-51%
60x20	159	242	-34%
60x15	212	219	-3%
60x10	320	330	-3%
40x30	159	322	-51%

MEDIA_AVERAGE			-26%
---------------	--	--	------

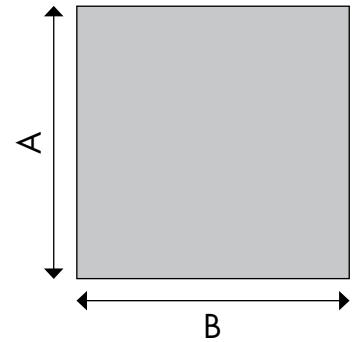


RLS 3D

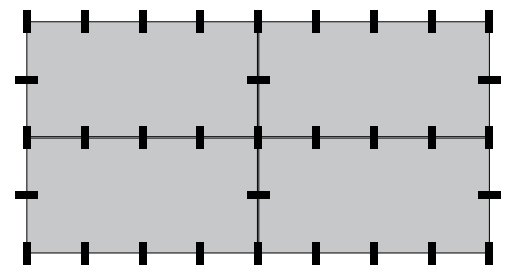
TABELLA CONSUMI_CONSUMPTION TABLE

pezzi per 10 m² _ pieces for 10 sqm

A cm																				B cm	
10	980																				
15	650	431																			
20	485	322	240																		
25	386	256	191	152																	
30	320	212	159	126	105																
40	485	322	240	191	159	178															
45	430	286	213	170	141	157	140														
50	386	256	191	152	126	141	125	112													
55	351	233	173	138	115	128	114	102	92												
60	320	212	159	126	105	117	104	93	84	77											
75	387	256	191	152	126	125	111	99	90	82	81										
80	362	240	179	143	118	117	103	93	84	77	76	71									
90	321	213	159	126	105	103	92	82	74	68	67	63	56								
100	287	190	142	113	94	92	82	73	66	60	60	56	50	44							
120	321	213	159	126	105	96	85	76	69	63	60	56	49	44	43						
150	321	213	159	126	105	92	82	73	66	60	55	52	46	41	38	34					
180	321	213	159	126	105	89	79	71	64	59	52	49	43	38	36	31	28				
200	337	223	167	133	110	92	81	73	66	60	53	49	44	39	35	30	27	26			
	10	15	20	25	30	40	45	50	55	60	75	80	90	100	120	150	180	200	B cm		



ESEMPIO_EXAMPLE

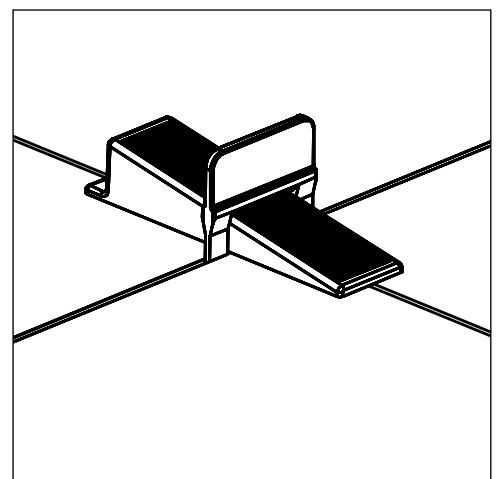
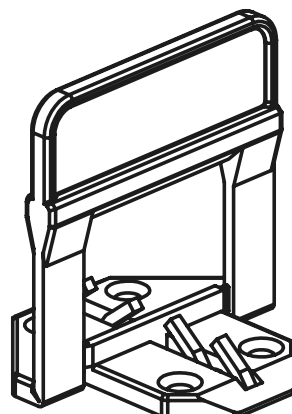


60x120 cm = 63 pezzi per 10 m²
 60x120 cm = 63 pieces for 10 sqm

RAIMONDI

DAL 1974 INNOVAZIONI PER I PROFESSIONISTI DELLA POSA
 SINCE 1974 INNOVATIONS FOR THE TILE SETTING PROFESSIONAL

raimondispa.com

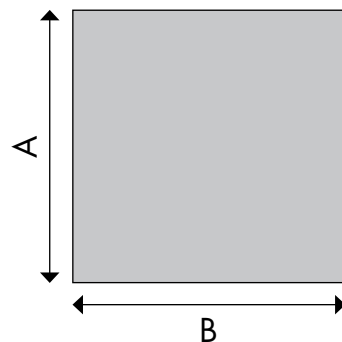


RLS classic

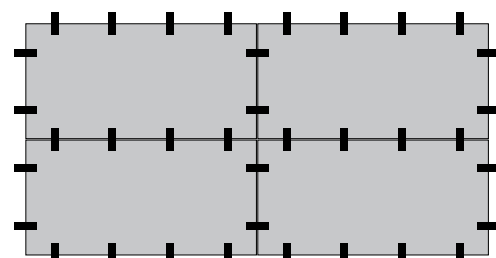
TABELLA CONSUMI_CONSUMPTION TABLE

pezzi per 10 m² _ pieces for 10 sqm

A cm																				B cm	
10	1980																				
15	1317	876																			
20	495	328	490																		
25	396	263	391	312																	
30	660	438	488	389	431																
40	495	328	365	291	322	240															
45	440	292	324	258	285	213	189														
50	396	263	291	232	256	191	169	152													
55	360	239	264	211	232	173	154	138	125												
60	330	219	242	193	212	158	141	126	114	105											
75	396	263	258	206	212	158	140	126	114	104	99										
80	371	246	241	192	198	148	131	117	107	97	93	87									
90	330	219	214	171	176	131	116	104	94	86	82	77	68								
100	297	197	192	153	157	117	104	93	84	77	73	68	61	54							
120	330	219	200	160	157	117	104	93	84	77	71	66	59	52	49						
150	330	219	192	153	146	109	96	86	78	71	64	60	53	47	44	38					
180	330	219	186	149	139	103	91	82	74	68	60	56	49	44	40	34	31				
200	347	230	192	153	140	104	92	83	75	68	59	55	49	44	39	33	30	28			
	10	15	20	25	30	40	45	50	55	60	75	80	90	100	120	150	180	200	B cm		



ESEMPIO_EXAMPLE



60x120 cm = 77 pezzi per 10 m²
60x120 cm = 77 pieces for 10 sqm

RAIMONDI

DAL 1974 INNOVAZIONI PER I
PROFESSIONISTI DELLA POSA

SINCE 1974 INNOVATIONS FOR
THE TILE SETTING PROFESSIONAL

raimondispa.com

